

SHINWA **MOBILE RADIO TELEPHONE**
INSTRUCTION MANUAL

SHINWA TSUSHINKI CO., LTD.

12-2 HAMADAYAMA 4-CHOME, SUGINAMIKU, TOKYO, JAPAN TEL (03) 313-1211
CABLE: RELIABLESHINCOM TOKYO TELEX: J27432 SINWACOM TOKYO

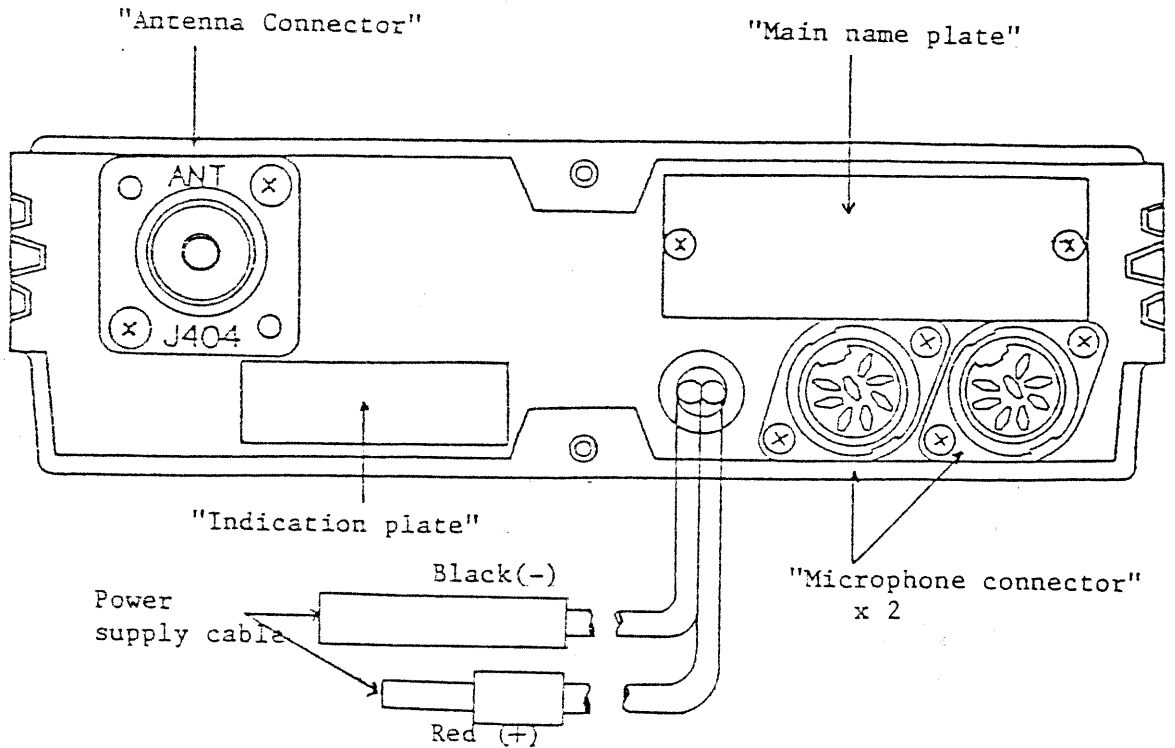
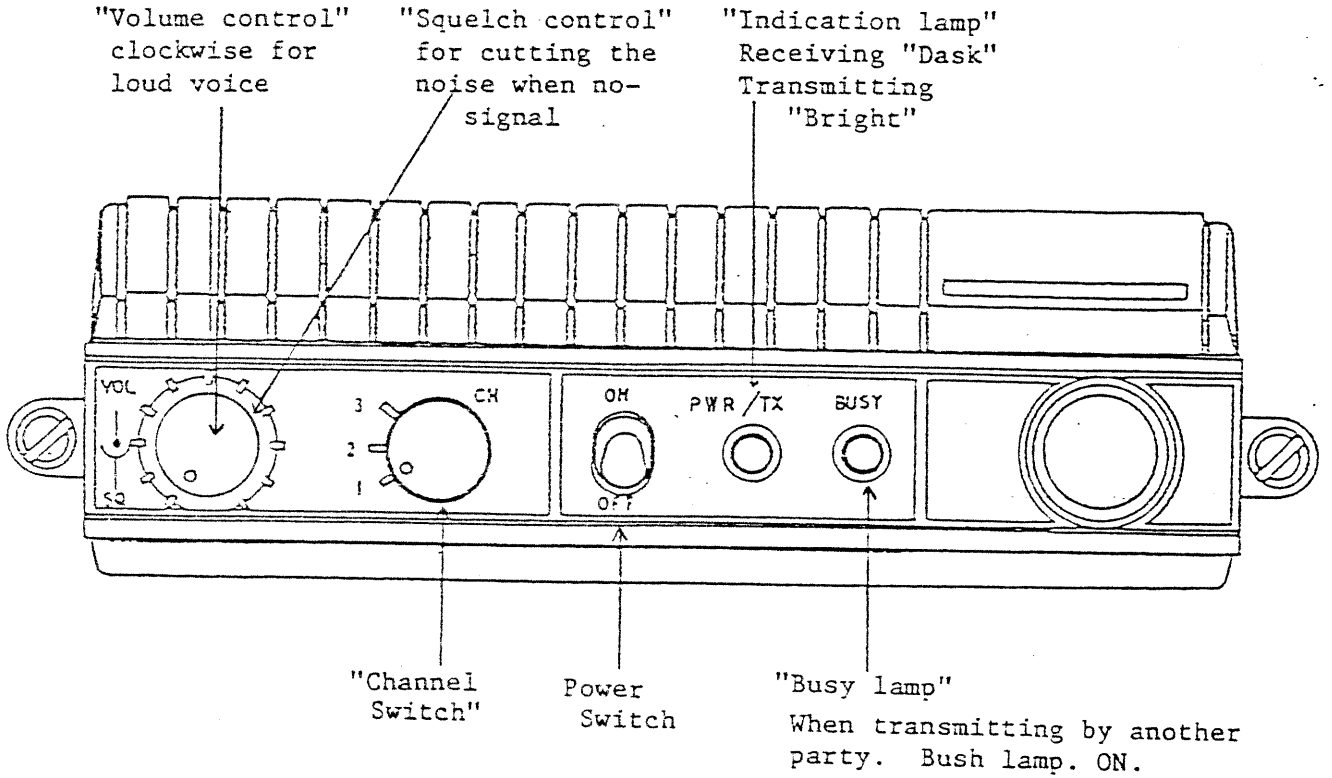
OPERATION MANUAL
150 MHz 6W VHF/FM RADIO TELEPHONE
MODEL SC2510G

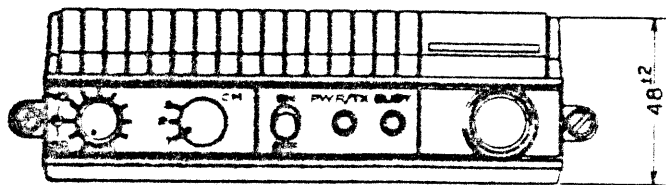
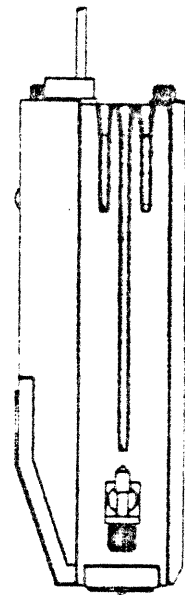
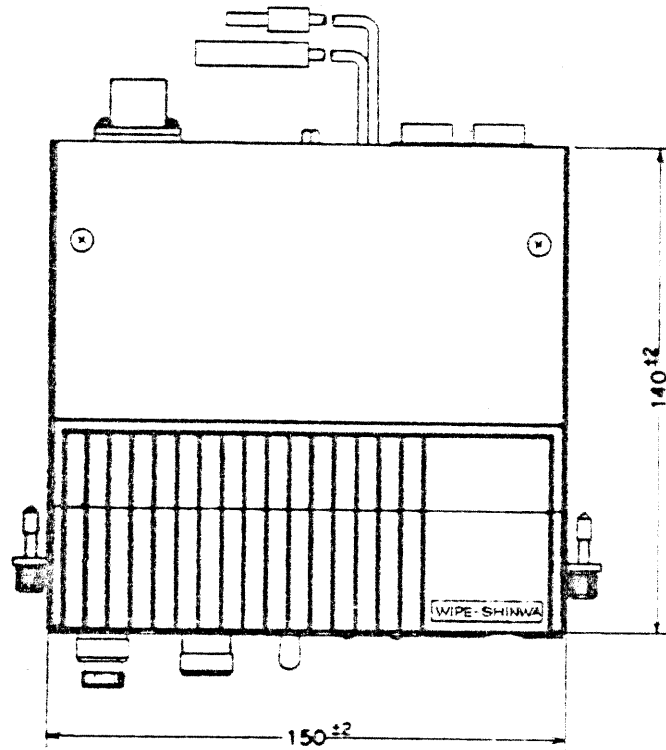
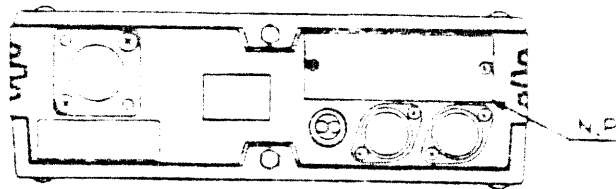
(AUGUST, 1981)

SHINWA TSUSHINKI CO., LTD.
TOKYO, JAPAN

HI-1188

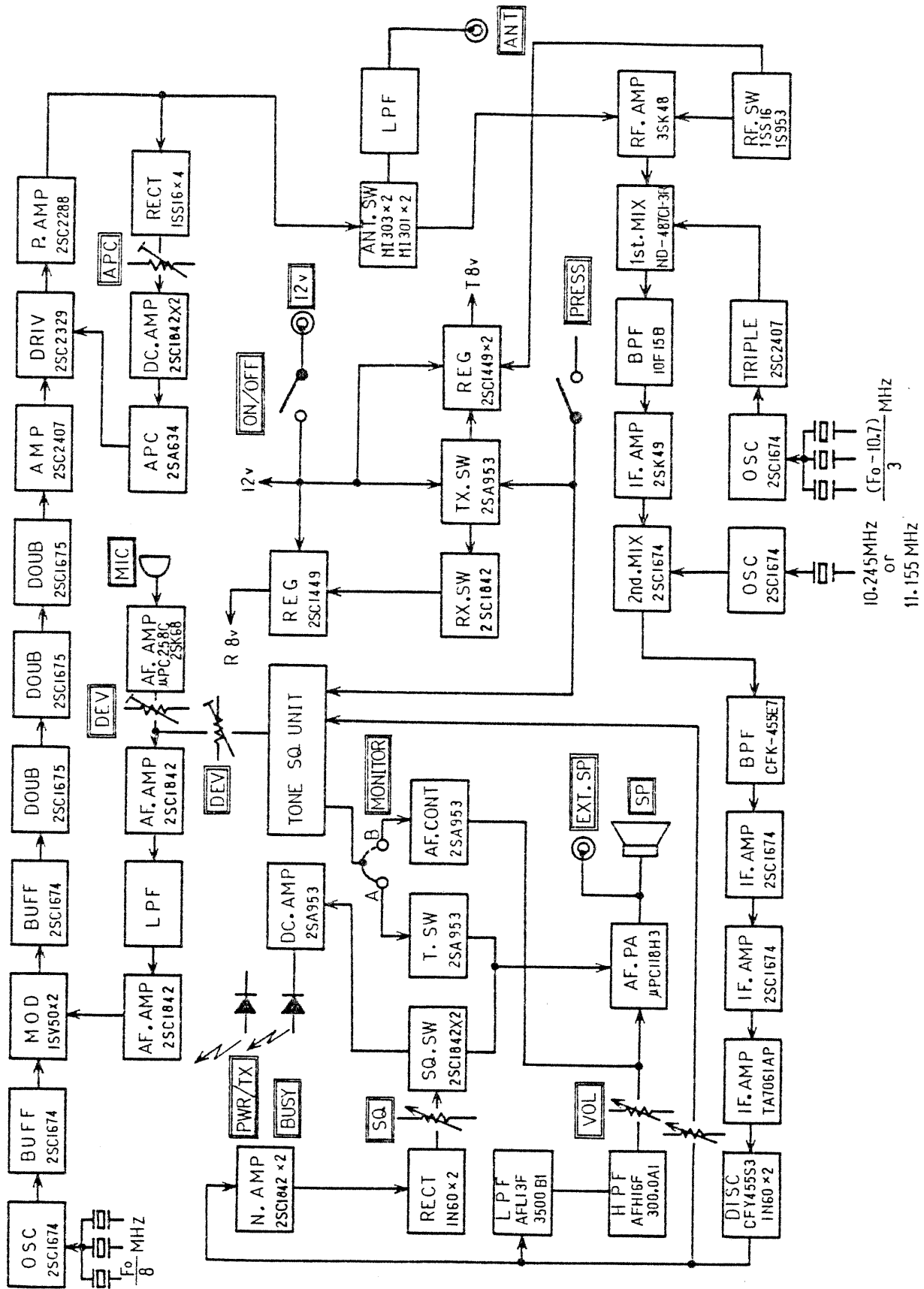
EACH PART DESCRIPTIONS



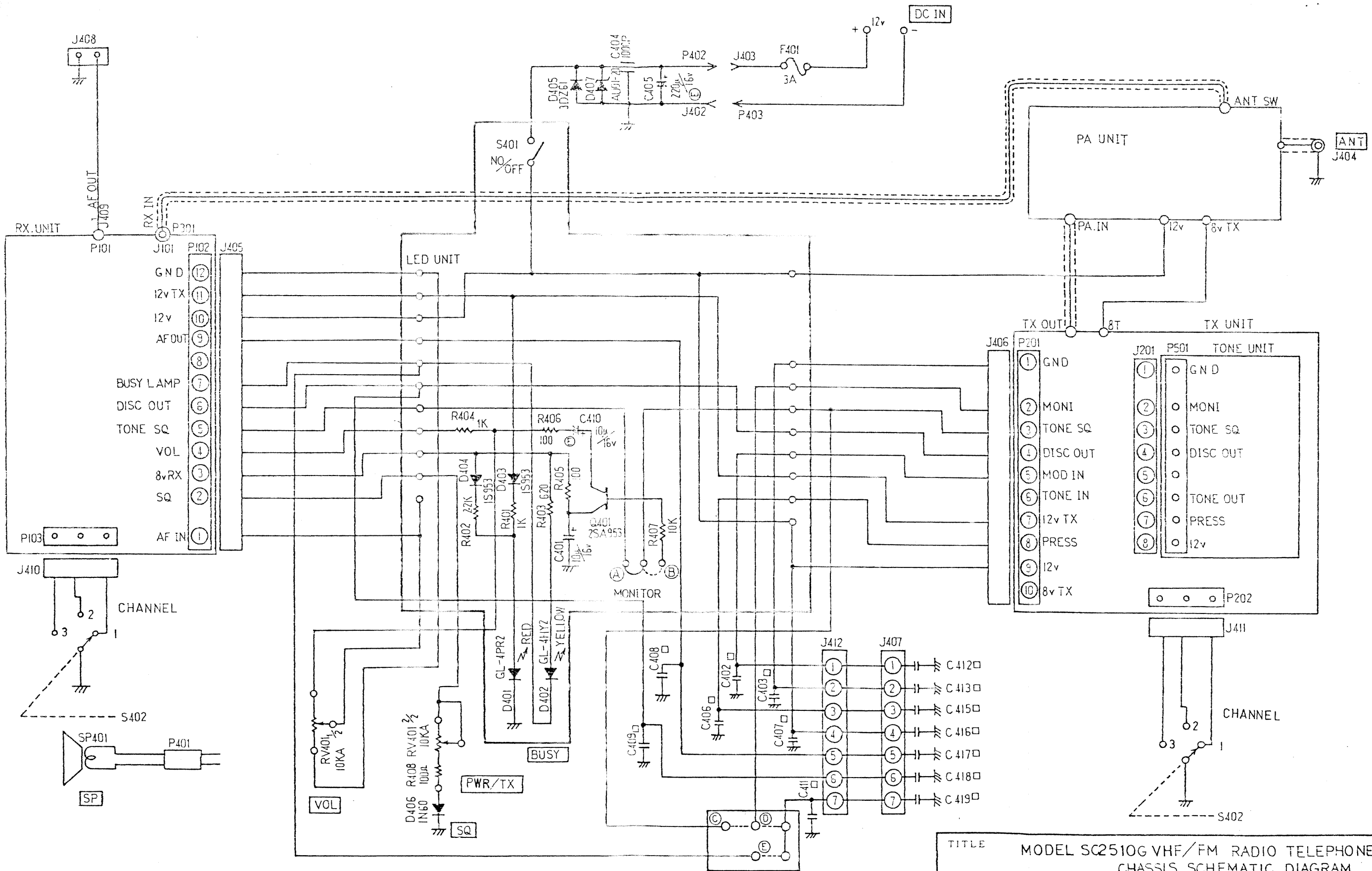


TITLE				MODEL SC2510G	VHF/FM RADIO TELEPHONE
				EXTERIOR	APPEARANCE
MADE BY	TRACED BY	CHECKED BY	APPROVALS		
<i>M. Kuramoto</i>	<i>M. Kuramoto</i>	<i>A. Kikuchi</i>	<i>A. Shibano</i>		
DATE	SH NO 4MG-2150E				
SHINWA TSUSHINKI CO., LTD. TOKYO JAPAN					

7



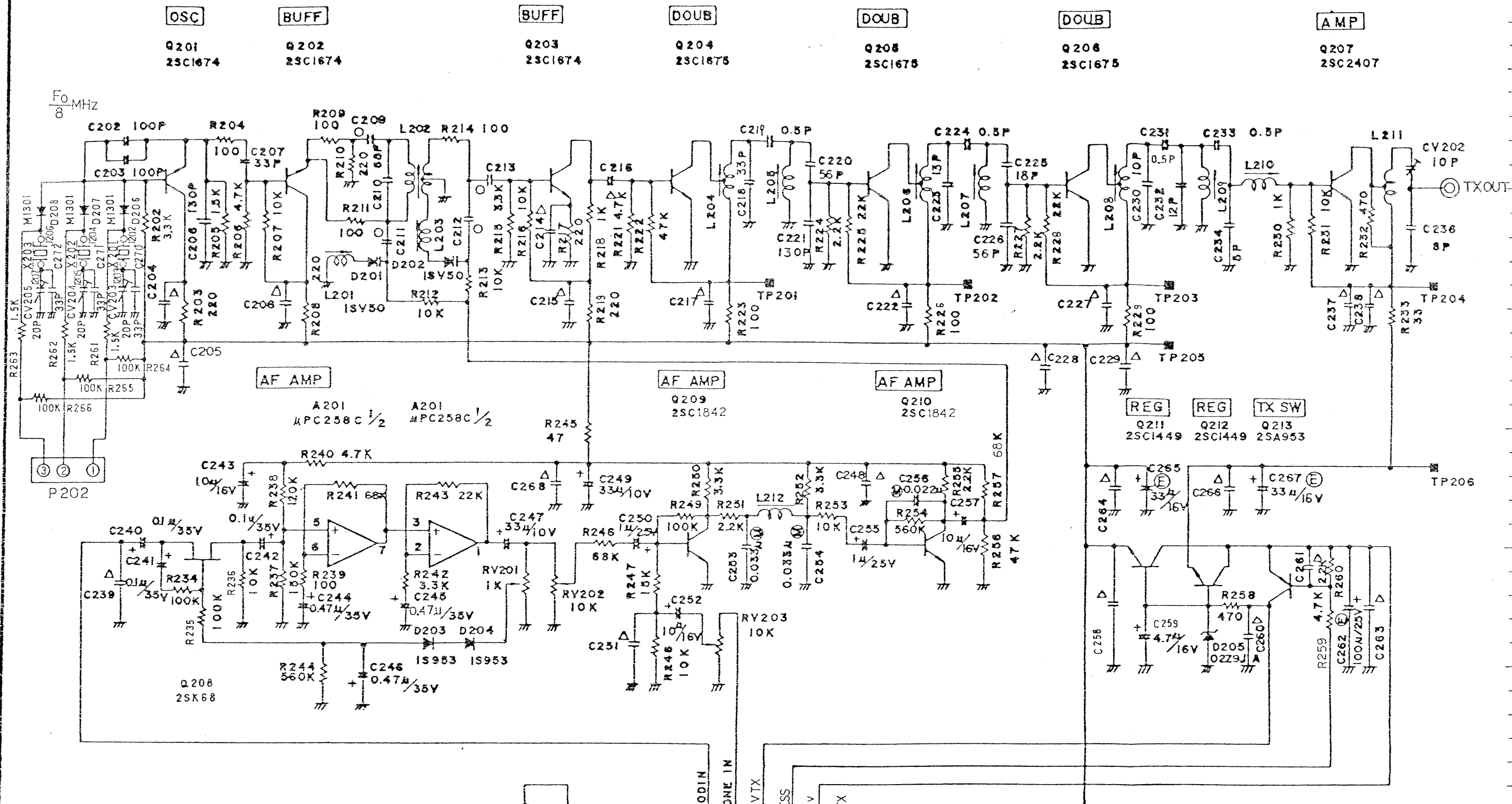
TITLE			
MODEL SC2510G VHF RADIO TELEPHONE BLOCK DIAGRAM			
MADE BY	TRACED BY	CHECKED BY	APPROVALS
	<i>M. Kamikawa</i>	<i>S. Kato</i>	
SCALE		SH NO	
		4DC-50-15E	
SHINWA TSUSHINKI CO., LTD. TOKYO JAPAN			



NOTE

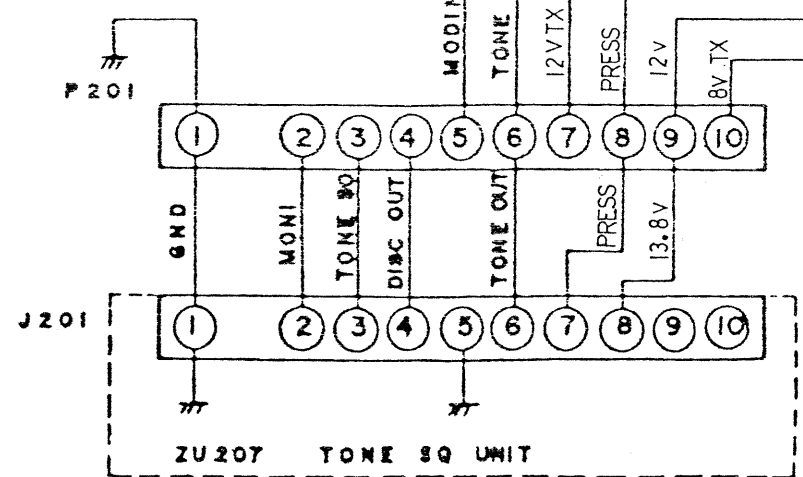
- Ⓣ TANTALUM CAPA.
- Ⓜ MYLOR FILM CAPA.
- CERAMIC CAPA. 1000 P
- △ CERAMIC CAPA. 2200 P

TITLE			
MODEL SC2510G VHF/FM RADIO TELEPHONE CHASSIS SCHEMATIC DIAGRAM			
MADE BY	TRACED BY	CHECKED BY	APPROVALS
	<i>M. Hamibara</i>	<i>S. Kato</i>	
SCALE	SH NO 3DC-5049E		
SHINWA TSUSHINKI CO., LTD. TOKYO JAPAN			

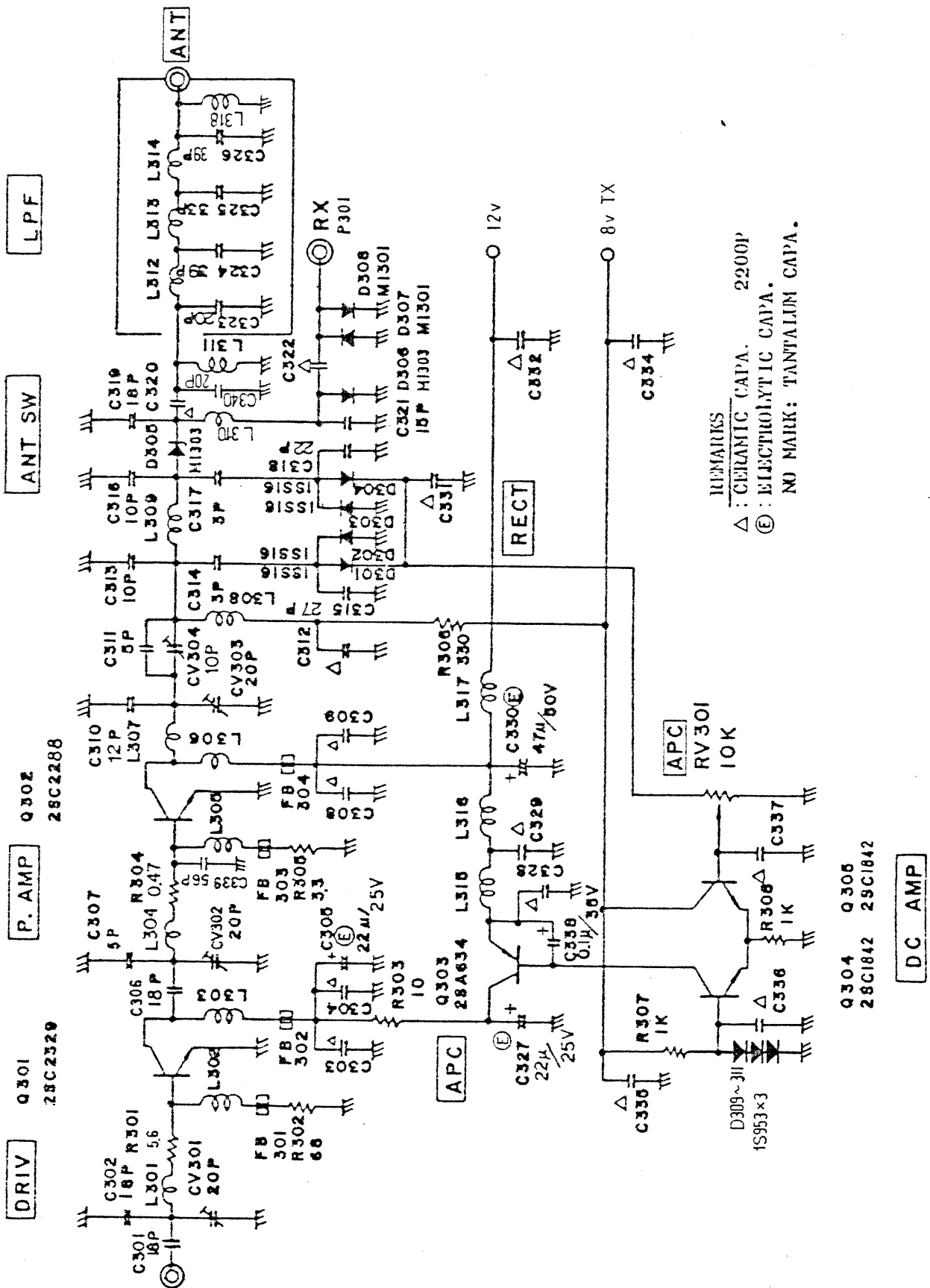


F₀ MHz

- REMARKS
- Δ : CERAMIC CAPA. 2200pF
 - : MYLOR FILM CAPA. 1000pF
 - Ⓜ : MYLOR FILM CAPA.
 - ⓔ : ELECTROLYTIC CAPA.
 - NO MARK; TANTALUM CAPA.



TITLE			
MODEL SC2510G VHF/FM RADIO TELEPHONE TRANSMITTER SCHEMATIC DIAGRAM			
MADE BY	TRACED BY	CHECKED BY	APPROVALS
	M. Kanikawa	S. Kase	
DATE	SH NO 3DC-5048E		
SHINWA TSUSHINKI CO., LTD. TOKYO JAPAN			



REMARKS
 Δ : CERAMIC CAPA. 2200P
 ⊕ : ELECTROLYTIC CAPA.
 NO MARK: TANTALUM CAPA.

L P F

ANT SW

Q 302
28C2288

P. AMP

Q 301
28C2329

DRIV

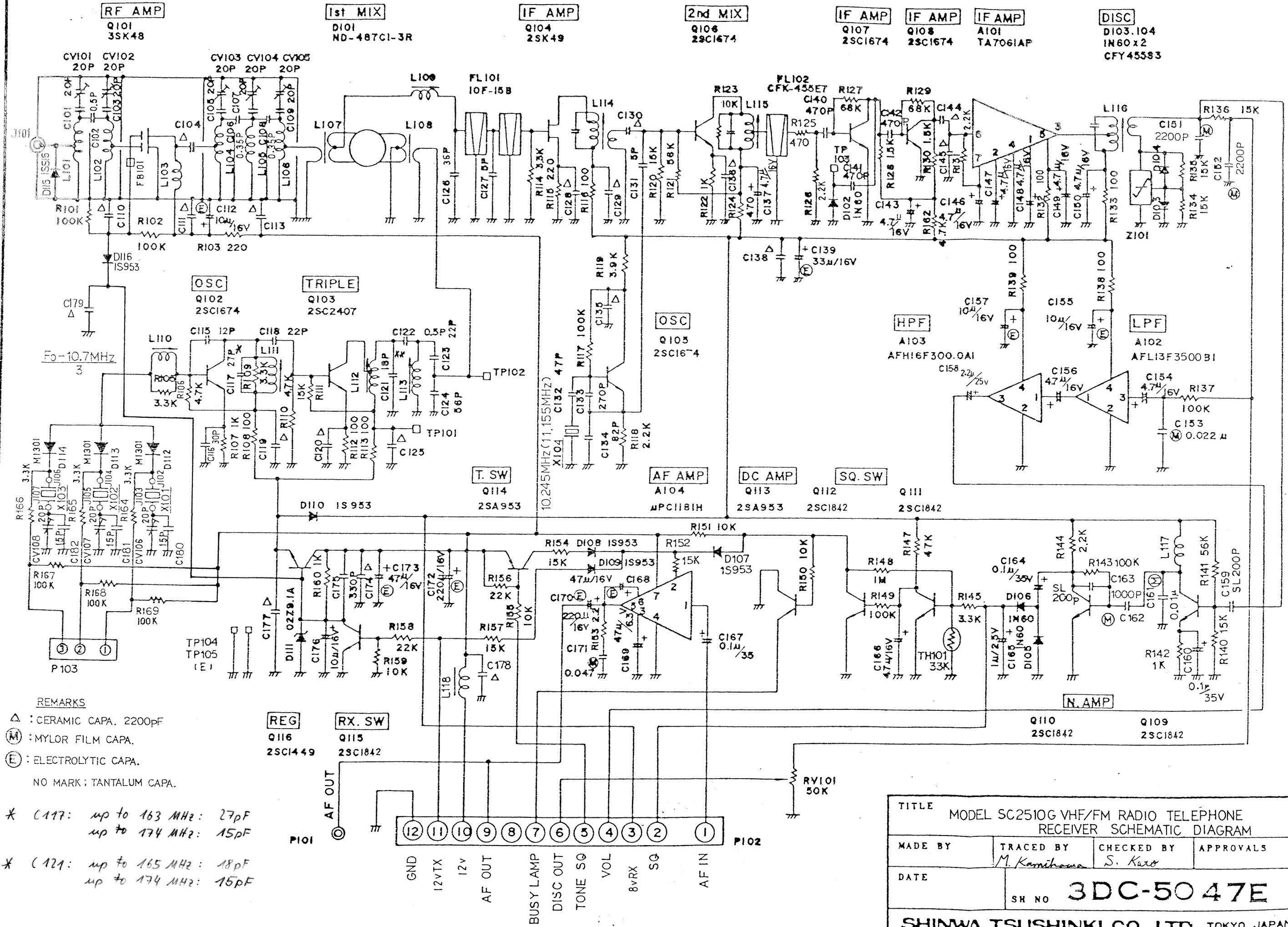
RECT

APC
RV301
10K

Q 304 Q 306
28C1842 28C1842

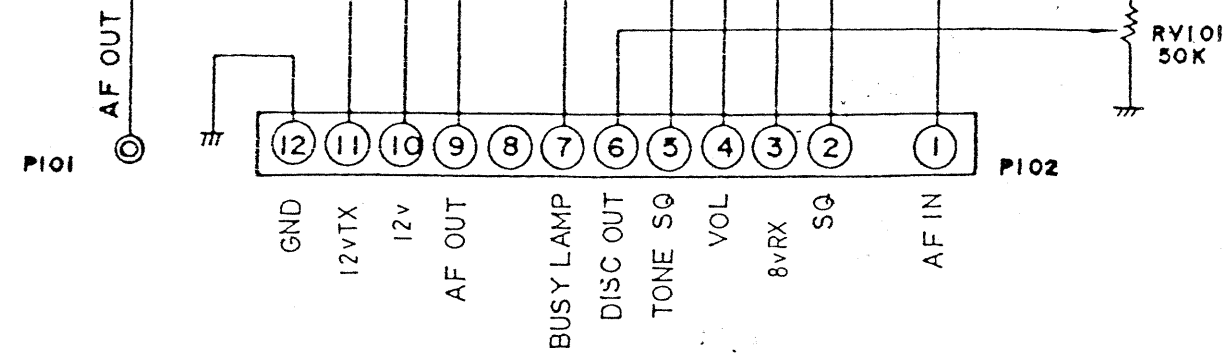
DC AMP

TITLE MODEL SC2510G VHF/FM RADIO TELEPHONE FOWER AMPLIFIER SCHEMATIC DIAGRAM			
MADE BY	TRACED BY	CHECKED BY	APPROVALS
	<i>M. Kamihara</i>	<i>S. Kato</i>	
DATE	SH NO 4DC-5046E		
SHINWA TSUSHINKI CO., LTD. TOKYO JAPAN			



REMARKS
 Δ : CERAMIC CAPA. 2200pF
 (M) : MYLOR FILM CAPA.
 (E) : ELECTROLYTIC CAPA.
 NO MARK : TANTALUM CAPA.

* C117: up to 163 MHz: 27pF
 up to 174 MHz: 15pF
 * C121: up to 165 MHz: 18pF
 up to 174 MHz: 15pF



TITLE MODEL SC2510G VHF/FM RADIO TELEPHONE RECEIVER SCHEMATIC DIAGRAM			
MADE BY	TRACED BY	CHECKED BY	APPROVALS
	M. Kamihara	S. Kato	
DATE	SH NO 3DC-5047E		
SHINWA TSUSHINKI CO., LTD. TOKYO JAPAN			

SYMBOL No.	NAME OF PARTS	DESCRIPTION	Q'TY	REMARKS
A101	IC	TA7061AP	1	
A102	"	AFL13F3500.B1	1	
A103	"	AFH16F300.OA1	1	
A104	"	μPC1181H3	1	
C101	CERAMIC CAPACITOR	RD204CH200J 50V	1	
C102	"	RD200CKOR5C "	1	
C103	"	RD204CH200J "	1	
C104	"	" YW222K "	1	
C105	"	" CH200J "	1	
C106	"	USD04AKR35C - LOB 50V	1	
C107	"	RD204CH200J 50V	1	
C108	"	USD04AKR35C - LOB 50V	1	
C109	"	RD204CH200J 50V	1	
C110	"	" YW222K "	1	
C111	"	" " "	1	
C112	ELECTROLYSTIC CAPA.	ECEA1CS100 16V	1	
C113	CERAMIC CAPACITOR	RD204YW222K 50V	1	
C114				
C115	CERAMIC CAPACITOR	RD200SH120J 50V	1	
C116	"	RD204SH300J "	1	
C117	"	RD200SH270J "	1	
C118	"	" SH220J "	1	
C119	"	RD204YW222K "	1	
C120	"	" " "	1	
C121	"	RD200SH180J "	1	
C122	"	RD200CKOR5C "	1	
C123	"	" SH220J "	1	
C124	"	RD204SH560J "	1	
C125	"	" YW222K "	1	
C126	"	" SH360J "	1	
C127	"	RD200CH050D "	1	
C128	"	RD204YW222K "	1	
C129	"	" " "	1	
C130	"	" " "	1	
C131	"	RD200CH050D "	1	
C132	"	RD204SH470J "	1	
C133	"	RPE110RH271J "	1	
C134	"	RD205SH820J "	1	
C135	"	RD204YW222K "	1	
C136	"	" " "	1	
C137	TANTALUM CAPACITOR	CS15E1C4R7M 16V	1	
C138	CERAMIC CAPACITOR	RD204YW222K 50V	1	

TITLE			
MODEL SC2510G VHF/FM RADIO TELEPHONE			
RECEIVER PARTS LIST (1/18)			
MADE BY	TRACED BY	CHECKED BY	APPROVALS
		<i>S. Kaw</i>	
DATE	SH NO 4DT-1188E		
SHINWA TSUSHINKI CO., LTD. TOKYO JAPAN			

SYMBOL No.	NAME OF PARTS	DESCRIPTION	Q'TY	REMARKS
C139	ELECTROLYTIC CAPA.	ECEA1CS330 16V	1	
C140	CERAMIC CAPACITOR	RD200YW471K 50V	1	
C141	"	" " "	1	
C142	"	" " "	1	
C143	TANTALUM CAPACITOR	CS15E1C4R7M 16V	1	
C144	CERAMIC CAPACITOR	RD204YW222K 50V	1	
C145	"	" " "	1	
C146	TANTALUM CAPACITOR	CS15E1C4R7M 16V	1	
C147	"	" " "	1	
C148	"	" " "	1	
C149	"	" " "	1	
C150	"	" " "	1	
C151	MYLOR FILM CAPACITOR	TDYS - 1H222K 50V	1	
C152	"	" " "	1	
C153	"	- 1H223K "	1	
C154	TANTALUM CAPACITOR	CS15E1C4R7M 16V	1	
C155	ELECTROLYTIC CAPA.	ECEA1CS100 16V	1	
C156	TANTALUM CAPACITOR	CS15E1C4R7M 16V	1	
C157	ELECTROLYTIC CAPA.	ECEA1CS100 16V	1	
C158	TANTALUM CAPACITOR	CS15E1E2R2M 25V	1	
C159	CERAMIC CAPACITOR	RD205SL201K 50V	1	
C160	TANTALUM CAPACITOR	CS15E1VOR1M 35V	1	
C161	MYLOR FILM CAPACITOR	TDYS - 1H103K 50V	1	
C162	"	" 1H102K 50V	1	
C163	CERAMIC CAPACITOR	RD205SL201K 50V	1	
C164	TANTALUM CAPACITOR	CS15E1VOR1M 35V	1	
C165	"	CS15E1E010M 25V	1	
C166	"	CS15E1C4R7M 16V	1	
C167	"	CS15E1VOR1M 35V	1	
C168	ELECTROLYTIC CAPA.	ECEA1CS470 16V	1	
C169	TANTALUM CAPACITOR	CS15E0J470M 6.3V	1	
C170	ELECTROLYTIC CAPA.	ECEA1CS221 16V	1	
C171	MYLOR FILM CAPACITOR	TDYS - 1H473K 50V	1	
C172	ELECTROLYTIC CAPA.	ECEA1CS221 16V	1	
C173	"	ECEA1CS470 "	1	
C174	CERAMIC CAPACITOR	RD204YW222K 50V	1	
C175	"	RD200YW331K "	1	
C176	ELECTROLYTIC . CAPA.	ECEA1CK100 16V	1	
C177	CERAMIC CAPACITOR	RD204YW222K 50V	1	
C178	"	" " "	1	
C179				
C180	CERAMIC CAPACITOR	RD200SH150J 50V	1	
C181	"	" " "	1	
C182	"	" " "	1	

TITLE			
MODEL SC2510G VHF/FM RADIO TELEPHONE RECEIVER PARTS LIST (2/18)			
MADE BY	TRACED BY	CHECKED BY	APPROVALS
		<i>S. Kato</i>	
DATE	SH NO 4 DT-1188E		
SHINWA TSUSHINKI CO., LTD. TOKYO JAPAN			

SYMBOL No.	NAME OF PARTS	DESCRIPTION	Q'TY	REMARKS
CV101	VARIABLE CERAMIC CAPA.	ECV - 1ZW20P × 32E	1	
CV102	"	" "	1	
CV103	"	" "	1	
CV104	"	" "	1	
CV105	"	" "	1	
CV106	"	" 20P × 53N	1	
CV107	"	" "	1	
CV108	"	" "	1	
D101	DIODE	ND - 487C1-3R	1	
D102	"	1N60	1	
D103	"	"	1	
D104	"	"	1	
D105	"	"	1	
D106	"	"	1	
D107	"	1S953	1	
D108	"	"	1	
D109	"	"	1	
D110	"	"	1	
D111	ZENER DIODE	02Z9.1A	1	
D112	DIODE	MI301	1	
D113	"	"	1	
D114	"	"	1	
D115	"	1SS16		
D116	"	1S953		
FL101	CRYSTAL FILTER	10F - 15B	1	
FL102	CERAMIC FILTER	CFK - 455E7	1	
101	FERRITE BEAD	BF04 3.5 × 3 × 1.3mm	1	
J101	RF CONNECTOR	GP - PR (G-38)	1	
J102	CRYSTAL JACK	3 - 330808 - 9	1	
J103	"	3 - 330808 - 9	1	
J104	"	"	1	
J105	"	"	1	
J106	"	"	1	

TITLE				MODEL SC2510G VHF/FM RADIO TELEPHONE
				RECEIVER PARTS LIST (3/18)
MADE BY	TRACED BY	CHECKED BY	APPROVALS	
		<i>S. Kaw</i>		
DATE	SH NO 4 DT-1188E			
SHINWA TSUSHINKI CO., LTD. TOKYO JAPAN				

SYMBOL No.	NAME OF PARTS	DESCRIPTION	Q'TY	REMARKS
J107	CRYSTAL JACK	3 - 330808 - 9	1	
L101	RF COIL	BH-196F	1	
L102	"	BH-196G	1	
L103	"	HH-57A	1	
L104	"	BH-196F	1	
L105	"	"	1	
L106	"	BH-196G	1	
L107	"	BH-160C	1	
L108	"	"	1	
L109	"	BH-189D	1	
L110	"	BH-83C	1	
L111	"	HH-36A	1	
L112	"	HH-36B	1	
L113	"	HH-36C	1	
L114	"	BH-147A	1	
L115	"	BH-194E	1	
L116	"	BH-169E	1	
L117	CHOKE COIL	FL7H332J 3.3mH	1	
L118	"	SC-19A 2mH	1	
P101	PLUG	60802-2	1	
P102	CONNECTOR	M33-12-30-118P	1	
P103	"	M33-03-30-138P	1	
Q101	FET	3SK48	1	
Q102	TRANSISTOR	2SC1674	1	
Q103	"	2SC2407	1	
Q104	FET	2SK49	1	
Q105	TRANSISTOR	2SC1674	1	
Q106	"	"	1	
Q107	"	"	1	
Q108	"	"	1	
Q109	"	2SC1842	1	
Q110	"	"	1	
Q111	"	"	1	
Q112	"	"	1	
Q113	"	2SA953	1	
Q114	"	"	1	
Q115	"	2SC1842	1	
Q116	"	2SC1449	1	

TITLE				MODEL SC2510G VHF/FM RADIO TELEPHONE RECEIVER PARTS LIST (4/18)
MADE BY	TRACED BY	CHECKED BY	APPROVALS	
		<i>S. Kato</i>		
DATE	SH NO. 4 DT-1188E			
SHINWA TSUSHINKI CO., LTD. TOKYO JAPAN				

SYMBOL No.	NAME OF PARTS	DESCRIPTION	Q'TY	REMARKS
R101	CARBON RESISTOR	ERD-25UJ104	1	
R102	CARBON RESISTOR	" "	1	
R103	"	" 221	1	
R104				
R105	CARBON RESISTOR	ERD-25UJ332	1	
R106	"	" 472	1	
R107	"	" 102	1	
R108	"	" 101	1	
R109	"	" 332	1	
R110	"	" 472	1	
R111	"	" 153	1	
R112	"	" 101	1	
R113	"	" "	1	
R114	"	" 332	1	
R115	"	" 221	1	
R116	"	" 101	1	
R117	"	" 104	1	
R118	"	" 222	1	
R119	"	" 392	1	
R120	"	" 153	1	
R121	"	" 563	1	
R122	"	" 102	1	
R123	"	" 103	1	
R124	"	" 471	1	
R125	"	" "	1	
R126	"	" 222	1	
R127	"	" 683	1	
R128	"	" 152	1	
R129	"	" 683	1	
R130	"	" 152	1	
R131	"	" 222	1	
R132	"	" 101	1	
R133	"	" "	1	
R134	"	" 153	1	
R135	"	" "	1	
R136	"	" "	1	
R137	"	" 104	1	
R138	"	" 101	1	
R139	"	" "	1	
R140	"	" 153	1	
R141	"	" 563	1	
R142	"	" 102	1	
R143	"	" 104	1	
R144	"	" 222	1	

TITLE			
MODEL SC2510G VHF/FM RADIO TELEPHONE RECEIVER PARTS LIST (5/18)			
MADE BY	TRACED BY	CHECKED BY	APPROVALS
		S. Kato	
DATE		SH NO. 4 DT-1188E	
SHINWA TSUSHINKI CO., LTD. TOKYO JAPAN			

SYMBOL No.	NAME OF PARTS	DESCRIPTION	Q'TY	REMARKS
R145	CARBON RESISTOR	ERD-25UJ332	1	
R146				
R147	CARBON RESISTOR	ERD-25UJ473	1	
R148	"	" 105	1	
R149	"	" 104	1	
R150	"	" 103	1	
R151	"	" "	1	
R152	"	ERD-25PJ153	1	
R153	"	ERD-25UJ2R2	1	
R154	"	" 153	1	
R155	"	" 103	1	
R156	"	" 223	1	
R157	"	" 153	1	
R158	"	" 223	1	
R159	"	" 103	1	
R160	"	" 102	1	
R161				
R162	CARBON RESISTOR	ERD-25UJ472	1	
R163				
R164	CARBON RESISTOR	ERD-25UJ332	1	
R165	"	" "	1	
R166	"	" "	1	
R167	"	" 104	1	
R168	"	" "	1	
R169	"	" "	1	
RV101	VARIABLE RESISTOR	3321H-1-503	1	
TH101	THERMISTOR	ERT-D2FHL-333S	1	
TP101	TERMINAL	0.996□ × 15mm	1	
TP102	"	"	1	
TP103	"	"	1	
TP104	"	"	1	
TP105	"	"	1	
X101	QUALTZ CRYSTAL UNIT	WIPE 12	1	
X102	"	"	1	

TITLE			
MODEL SC2510G VHF/FM RADIO TELEPHONE RECEIVER PARTS LIST (6/18)			
MADE BY	TRACED BY	CHECKED BY	APPROVALS
		<i>S. Kato</i>	
DATE		SH NO. DT-1188E	
SHINWA TSUSHINKI CO., LTD. TOKYO JAPAN			

SYMBOL No.	NAME OF PARTS	DESCRIPTION	Q'TY	REMARKS
A201	IC	μPC258C	1	
C201				
C202	CERAMIC CAPACITOR	RD205SH101J 50V	1	
C203	"	" " "	1	
C204	"	RD204YW222K "	1	
C205	"	" " "	1	
C206	"	RD205SH131J "	1	
C207	"	RD204SH330J "	1	
C208	"	" YW222K "	1	
C209	MYLOR FILM CAPACITOR	TDYS-1H102K 50V	1	
C210	CERAMIC CAPACITOR	RD205SH680J 50V	1	
C211	MYLOR FILM CAPACITOR	TDYS-1H102K 50V	1	
C212	"	" " "	1	
C213	"	" " "	1	
C214	CERAMIC CAPACITOR	RD204YW222K 50V	1	
C215	"	" " "	1	
C216	"	" " "	1	
C217	"	" " "	1	
C218	"	RD204SH330J "	1	
C219	"	RD200CK0R5C "	1	
C220	"	RD204SH560J "	1	
C221	"	RD205SH131J "	1	
C222	"	RD204YW222K "	1	
C223	"	RD200SH130J "	1	
C224	"	" CK0R5C "	1	
C225	"	" SH180J "	1	
C226	"	RD204SH560J "	1	
C227	"	" YW222K "	1	
C228	"	" " "	1	
C229	"	" " "	1	
C230	"	RD200SH100D "	1	
C231	"	" CK0R5C "	1	
C232	"	" SH120J "	1	
C233	"	" CK0R5C "	1	
C234	"	" CH050D "	1	
C235				
C236	CERAMIC CAPACITOR	RD200CH080D 50V	1	
C237	"	RD204YW222K "	1	
C238	"	" " "	1	
C239	"	" " "	1	
C240	TANTALUM CAPACITOR	CS15E1V0R1M 35V	1	
C241	"	" " "	1	

TITLE			
MODEL SC2510G VHF/FM RADIO TELEPHONE TRANSMITTER PARTS LIST (8/18)			
MADE BY	TRACED BY	CHECKED BY	APPROVALS
		S. Kuro	
DATE	SH NO 4DT-1188E		
SHINWA TSUSHINKI CO., LTD. TOKYO JAPAN			

SYMBOL No.	NAME OF PARTS	DESCRIPTION	Q'TY	REMARKS
D203	DIODE	1S953	1	
D204	"	"	1	
D205	ZENER DIODE	02Z9.1A	1	
D206	DIODE	MI301	1	
D207	"	"	1	
D208	"	"	1	
J201	CONNECTOR	M33-08-30-144S	1	
J202	CRYSTAL JACK	3-330808-9	1	
J203	"	"	1	
J204	"	"	1	
J205	"	"	1	
J206	"	"	1	
J207	"	"	1	
L201	RF COIL	BH-151B	1	
L202	"	BH-194A	1	
L203	"	BH-151B	1	
L204	"	BH-151C	1	
L205	"	BH-151D	1	
L206	"	BH-130M	1	
L207	"	BH-130D	1	
L208	"	BH-130N	1	
L209	"	BH-194B	1	
L210	"	BH-194C	1	
L211	"	BH-194D	1	
L212	CHOKE COIL	S TYPE 154K 150mH	1	
P201	CONNECTOR	M33-10-30-118P	1	
P202	"	M33-03-30-118P	1	
Q201	TRANSISTOR	2SC1674	1	
Q202	"	"	1	
Q203	"	"	1	
Q204	"	2SC1675	1	
Q205	"	"	1	
Q206	"	"	1	
Q207	"	2SC2407	1	
Q208	FET	2SK68	1	
Q209	TRANSISTOR	2SC1842	1	

TITLE			
MODEL SC2510G VHF/FM RADIO TELEPHONE TRANSMITTER PARTS LIST (10/18)			
MADE BY	TRACED BY	CHECKED BY	APPROVALS
		<i>S. Kato</i>	
DATE	SH NO. 4 DT-1 : 88E		
SHINWA TSUSHINKI CO., LTD. TOKYO JAPAN			

SYMBOL No.	NAME OF PARTS	DESCRIPTION	Q'TY	REMARKS
Q210	TRANSISTOR	2SC1842	1	
Q211	"	2SC1449	1	
Q212	"	"	1	
Q213	"	2SA953	1	
R201				
R202	CARBON RESISTOR	ERD-25UJ332	1	
R203	"	" 221	1	
R204	"	" 101	1	
R205	"	" 152	1	
R206	"	" 472	1	
R207	"	" 103	1	
R208	"	" 221	1	
R209	"	" 101	1	
R210	"	" 221	1	
R211	"	" 101	1	
R212	"	" 103	1	
R213	"	" "	1	
R214	"	" 101	1	
R215	"	" 332	1	
R216	"	" 103	1	
R217	"	" 221	1	
R218	"	" 102	1	
R219	"	" 221	1	
R220				
R221	CARBON RESISTOR	ERD-25UJ472	1	
R222	"	" 473	1	
R223	"	" 101	1	
R224	"	" 222	1	
R225	"	" 223	1	
R226	"	" 101	1	
R227	"	" 222	1	
R228	"	" 223	1	
R229	"	" 101	1	
R230	"	" 102	1	
R231	"	" 103	1	
R232	"	" 471	1	
R233	"	" 330	1	
R234	"	" 104	1	
R235	"	" "	1	
R236	"	" 103	1	
R237	"	" 154	1	
R238	"	" 124	1	

TITLE			
MODEL SC2510G VHF/FM RADIO TELEPHONE TRANSMITTER PARTS LIST (11/18)			
MADE BY	TRACED BY	CHECKED BY	APPROVALS
		<i>S. Kato</i>	
DATE	4 DT-1188E		
	SH NO		
SHINWA TSUSHINKI CO., LTD. TOKYO JAPAN			

SYMBOL No.	NAME OF PARTS	DESCRIPTION	Q'TY	REMARKS
C301	CERAMIC CAPACITOR	RD200SH180J 50V	1	
C302	"	" " "	1	
C303	"	RD204YW222K "	1	
C304	"	" " "	1	
C305	ELECTROLYTIC CAPA.	ECEA1ES220	1	
C306	CERAMIC CAPACITOR	RD200SH180J 50V	1	
C307	"	" CH050D "	1	
C308	"	RD204YW222K "	1	
C309	"	" " "	1	
C310	"	RD200SH120J "	1	
C311	"	" CH050D "	1	
C312	"	RD204YW222K "	1	
C313	"	RD200SH100D "	1	
C314	"	" CJ030C "	1	
C315	"	" SH270J "	1	
C316	"	" SH100D "	1	
C317	"	" CJ030C "	1	
C318	"	" SH220J "	1	
C319	"	" SH180J "	1	
C320	"	RD204YW222K "	1	
C321	"	RD200SH150J "	1	
C322	"	RD204YW222K "	1	
C323	"	RD200SH200J "	1	
C324	"	RD204SH390J "	1	
C325	"	" SH330J "	1	
C326	"	RD200SH390J "	1	
C327	ELECTROLYTIC CAPA.	ECEA1ES220	1	
C328	CERAMIC CAPACITOR	RD204YW222K 50V	1	
C329	"	" " "	1	
C330	ELECTROLYTIC CAPA.	ECEA1HS470 50V	1	
C331	CERAMIC CAPACITOR	RD204YW222K 50V	1	
C332	"	" " "	1	
C333				
C334	CERAMIC CAPACITOR	RD204YW222K 50V	1	
C335	"	" " "	1	
C336	"	" " "	1	
C337	"	" " "	1	
C338	TANTALUM CAPACITOR	CS15E1V0R1M 35V	1	
C339	CERAMIC CAPACITOR	RD204SH560J 50V	1	
C340	"	RD200SH200J 50V	1	
CV301	VARIABLE CERAMIC CAPA.	ECV-1ZW20P × 53N	1	

TITLE			
MODEL SC2510G VHF/FM RADIO TELEPHONE POWER AMPLIFIER PARTS LIST (14/18)			
MADE BY	TRACED BY	CHECKED BY	APPROVALS
		<i>S. Kaw</i>	
DATE	SH NO 4 DT-1188E		
SHINWA TSUSHINKI CO., LTD. TOKYO JAPAN			

SYMBOL No.	NAME OF PARTS	DESCRIPTION	Q'TY	REMARKS
CV302	VARIABLE CERAMIC CAPA.	ECV-1ZW20P × 53N	1	
CV303	"	" " 32E	1	
CV304	"	" 10P × 32E	1	
D301	DIODE	1SS16	1	
D302	"	"	1	
D303	"	"	1	
D304	"	"	1	
D305	"	MI303	1	
D306	"	"	1	
D307	"	MI301	1	
D308	"	"	1	
D309	"	1S953	1	
D310	"	1S953	1	
D311	"	"	1	
FB301	FERRITE BEAD	BF04 3.5 × 3 × 1.3mm	1	
FB302	"	" "	1	
FB303	"	" "	1	
FB304	"	" "	1	
L301	RF COIL	BH-196A	1	
L302	"	HH-57A	1	
L303	"	HH-57G	1	
L304	"	BH-188G	1	
L305	"	HH-57K	1	
L306	"	HH-57B	1	
L307	"	BH-196B	1	
L308	"	HH-57A	1	
L309	"	BH-196C	1	
L310	"	BH-196C	1	
L311	CHOKE COIL	FL4H1ROM	1	
L312	RF COIL	BH-196C	1	
L313	"	"	1	
L314	"	"	1	
L315	"	HH-57A	1	
L316	"	HH-57B	1	
L317	"	"	1	
L318	RF COIL	BH-196C	1	
P301	RF CONNECTOR	GP-LJ-1.5V (G39-2)	1	

TITLE			
MODEL SC2510G VHF/FM RADIO TELEPHONE POWER AMPLIFIER PARTS LIST (15/18)			
MADE BY	TRACED BY	CHECKED BY	APPROVALS
		<i>S. Kaye</i>	
DATE	SH NO 4 DT-1188E		
SHINWA TSUSHINKI CO., LTD. TOKYO JAPAN			

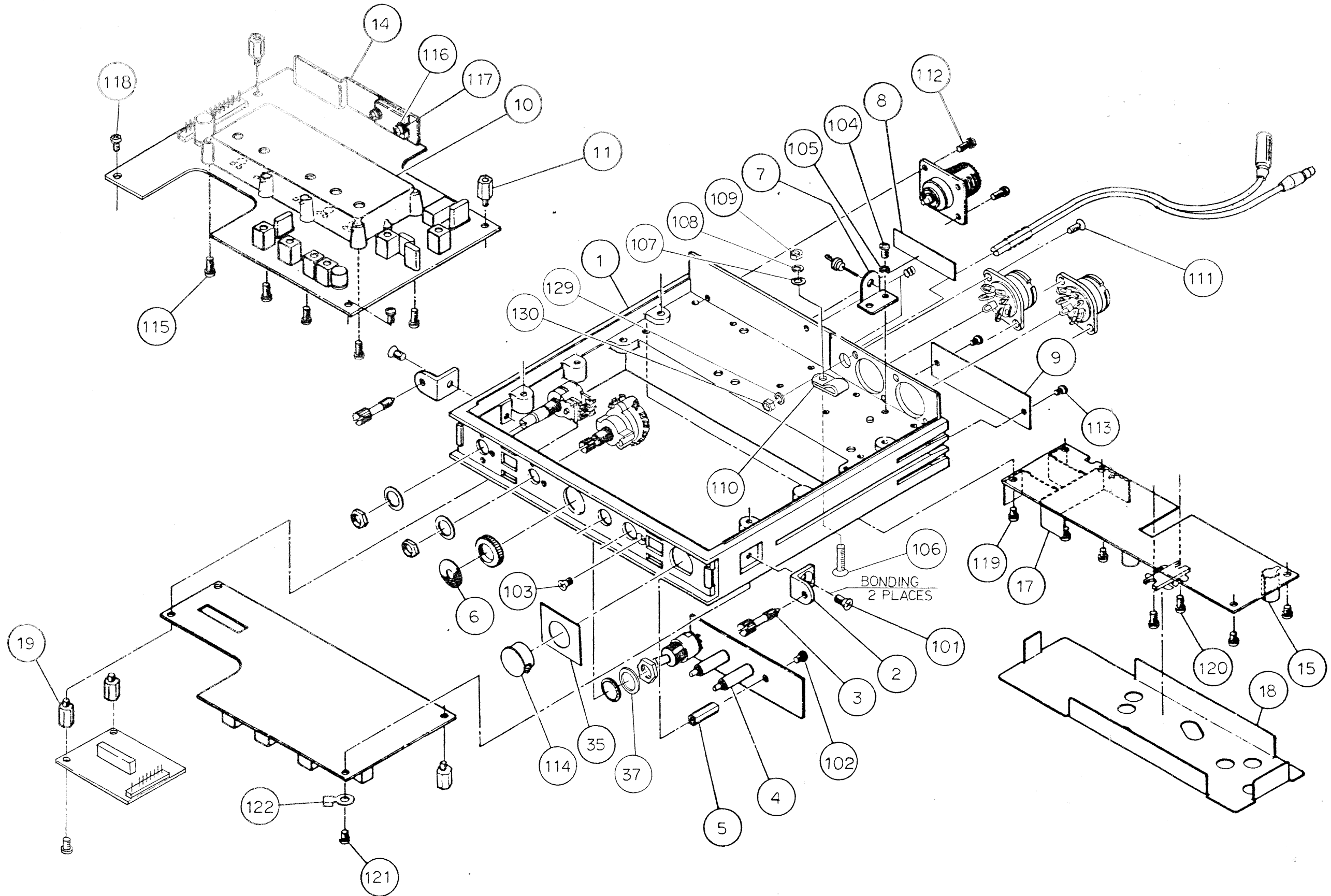
SYMBOL No.	NAME OF PARTS	DESCRIPTION	Q'TY	REMARKS
Q301	TRANSISTOR	2SC2329	1	
Q302	"	2SC2288	1	
Q303	"	2SA634	1	
Q304	"	2SC1842	1	
Q305	"	"	1	
R301	CARBON RESISTOR	ERD-25UJ5R6	1	
R302	"	" 680	1	
R303	"	" 100	1	
R304	"	ERD-12ANJOR47	1	
R305	"	ERD-25UJ3R3	1	
R306	"	" 331	1	
R307	"	" 102	1	
R308	"	" "	1	
RV301	VARIABLE RESISTOR	3321H-1-103	1	

TITLE			
MODEL SC2510G VHF/FM RADIO TELEPHONE POWER AMPLIFIER PARTS LIST (16/18)			
MADE BY	TRACED BY	CHECKED BY	APPROVALS
		<i>S. Kato</i>	
DATE	SH NO 4 DT-1183E		
SHINWA TSUSHINKI CO., LTD. TOKYO JAPAN			

SYMBOL No.	NAME OF PARTS	DESCRIPTION	Q'TY	REMARKS
C401	ELECTROLYTIC CAPA.	ECEA1CS100 16V	1	
C402	CERAMIC CAPACITOR	RD204YW102K 50V	1	
C403	"	" " "	1	
C404	THROUGH TYPE CAPA.	ECK-Y2H102WE9	1	
C405	ELECTROLYTIC CAPA.	ECEA1CS221 16V	1	
C406	CERAMIC CAPACITOR	RD204YW102K 50V	1	
C407	"	" " "	1	
C408	"	" " "	1	
C409	CERAMIC CAPACITOR	RD204YW102K 50V	1	
C410	ELECTROLYTIC CAPA.	ECEA1CS100 16V	1	
C411	CERAMIC CAPACITOR	RD204YW102K 50V	1	
C412	CERAMIC CAPACITOR	RD204YW102K 50V	1	
C413	"	"	1	
C415	"	"	1	
C416	"	"	1	
C417	"	"	1	
C418	"	"	1	
C419	"	"	1	
D401	LED	GL-4PR2 (RED)	1	
D402	"	GL-4HY2 (YEL)	1	
D403	DIODE	IS953	1	
D404	"	"	1	
D405	ZENER DIODE	3DZ61	1	
D406	DIODE	1N60	1	
D407	ZENER DIODE	AU01-20	1	
F401	FUSE	3A	1	
J401	EARPHONE JACK	X-G8010	1	
J402	DC CONNECTOR	170021-2	1	
J403	"	"	1	
J404	RF CONNECTOR	M-R(S0239)	1	
J405	CONNECTOR	BJ-012A	1	
J406	"	BJ-012B	1	
J407	AUDIO CONNECTOR	PREH-DIN7-POLE	1	
J408	CONNECTOR	BJ-011A	1	
J409	"	60804-2	1	
J410	"	BJ-016B	1	
J411	"	BJ-016A	1	
J412	AUDIO CONNECTOR	PREH-DIN7-POLE	1	

TITLE				MODEL SC2510G VHF/FM RADIO TELEPHONE			
				CHASSIS PARTS LIST (17/18)			
MADE BY		TRACED BY		CHECKED BY		APPROVALS	
				<i>S. Kato</i>			
DATE				SH NO 4 DT-1188E			
SHINWA TSUSHINKI CO., LTD. TOKYO JAPAN							

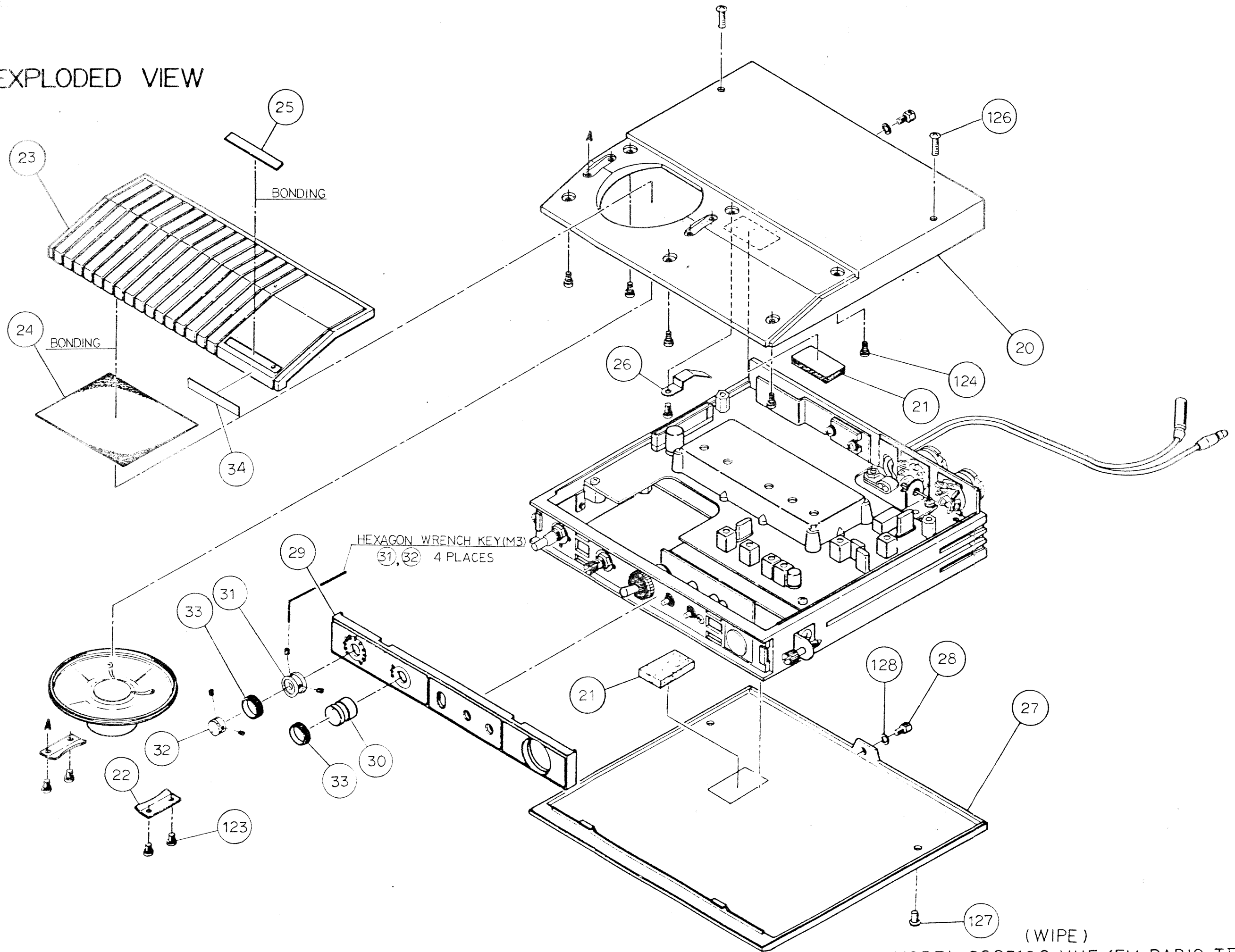
EXPLODED VIEW



(WIPE)
MODEL SC2510G VHF/FM RADIO TELEPHONE

3MK-2274E 1/2

EXPLODED VIEW



MODEL SC2510G VHF/FM RADIO TELEPHONE
3MK-2274E 2/2

